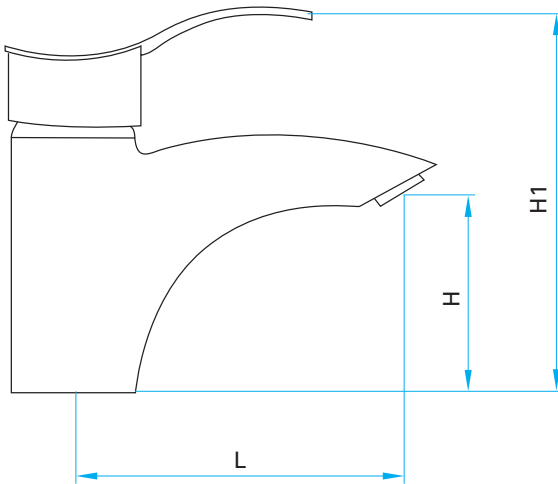


Hilal Washbasin Mixer

KAS®



Standard	TS EN 817
Usage Temperature	-5 °C / +65 °C
Usage Area	Water Installation
Flow Pressure	Min. 1 bar / Max. 5 bar
Static (Installation) Pressure	10 bar

Usage Area : Suitable for hot and cold water usage in kitchen and multi functional offices

Specifications:

- Easy to use with ergonomic design.
- Aerator with descaling system
- 12 lt. water flow per minute
- Mixes the flowing water with air with a versatile aerator and creates a softer feeling.
- Provides usage without splashing with versatile aerator.
- Easy installation
- 100% leak test during production.
- Brightness and easy cleaning with KAS mixer polish.

Dimension	PRODUCT CODE - 9231202		
	H	H1	L1
	75 mm	165 mm	135 mm



Installation and Using Instructions:

- 1- Place the base O-ring under the mixer.
- 2- Screw the flexes to the base of the mixer.
- 3- Screw the studs into the body.
- 4- Place the mixer on the sink
- 5- Pass the flex hoses through the retaining plate.
- 6- Fix the mixer by tightening the retaining nuts.
- 7- Connect the flex hoses to the hot and cold taps.
- 8- Use a pressure regulator if the pressure of the system is above 6 bar.

PRODUCT SPECIFICATIONS	
Body	Brass (CW617N) TS EN 12165
Double Perforated Half Moon	Sheet
Arm	Brass (CW617N) TS EN 12165
Cartridge	Ceramic / ABS
Press Nut	Brass (CW617N) TS EN 12165
Funnel	ABS
M6 Pivot Nut	Brass (CW617N) TS EN 12165
M6 Stud	Brass (CW617N) TS EN 12165
Aerator	Brass (CW617N) TS EN 12165

SURFACE SPECIFICATIONS (COVERING)	
Body	Nickel / Chrome (5-10 µm)
Perlatör	Nickel / Chrome (5-10 µm)
Arm	Nickel / Chrome (5-10 µm)
Double Perforated Half Moon	Nickel / Chrome (5-10 µm)
Funnel	Nickel / Chrome (5-10 µm)



* In case of defect or failure of the product, you can return it with the invoice and guarantee certificate and get the new one free of charge from our factory.

** Do not forget to get the **Warranty Certificate** and the invoice from your dealer with this product. Warranty Certificate is valid with the invoice.

Please read the warranty rules.